

Alterations to design and dimensions reserved!
Drawing can include options!

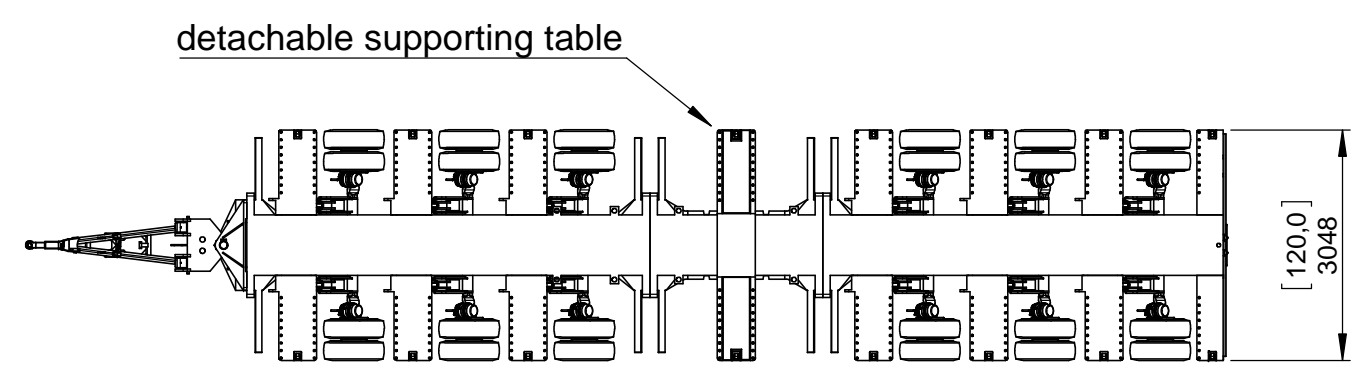
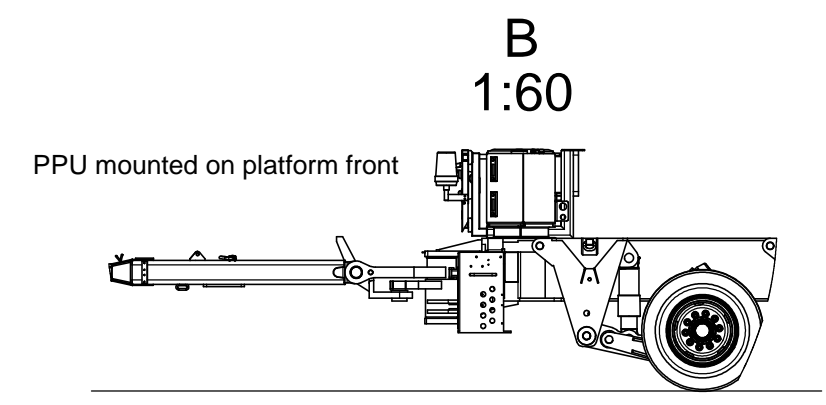
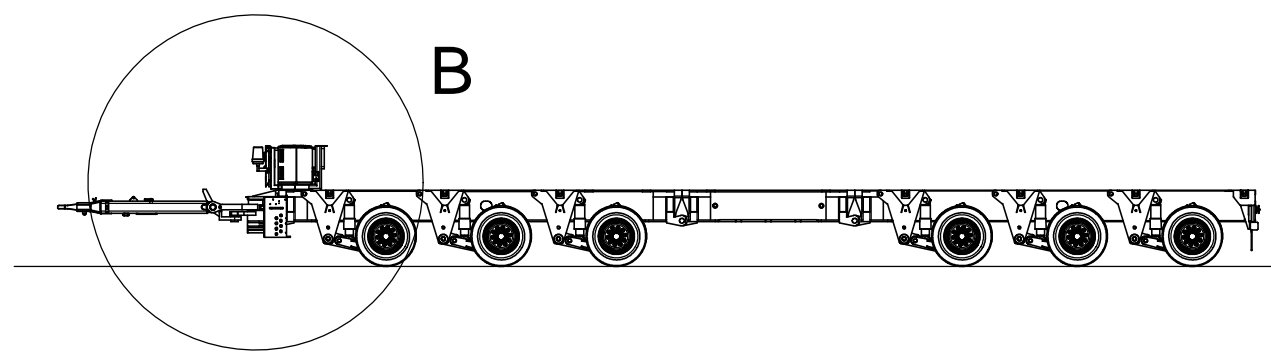
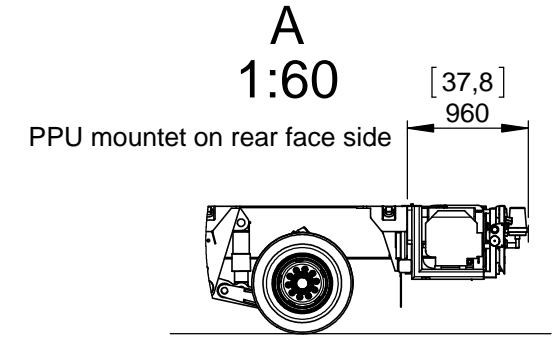
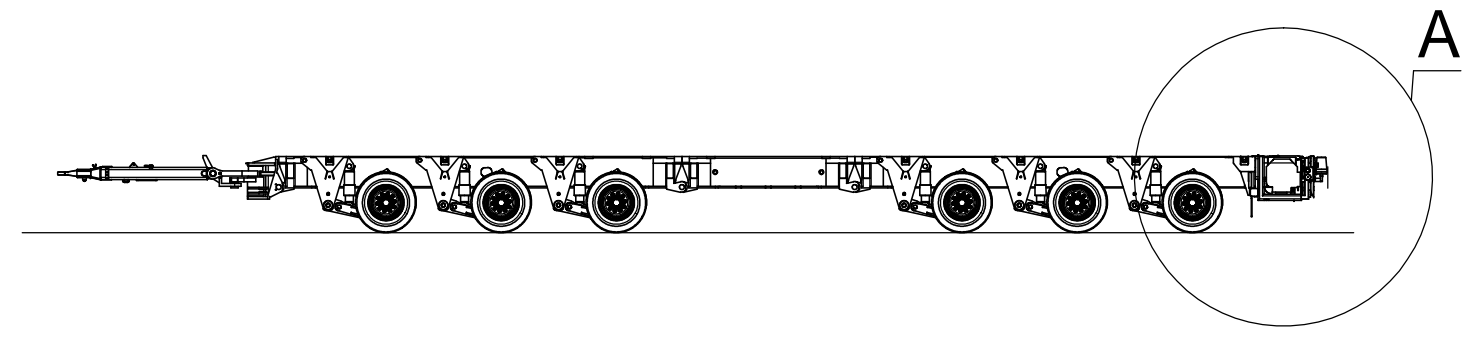
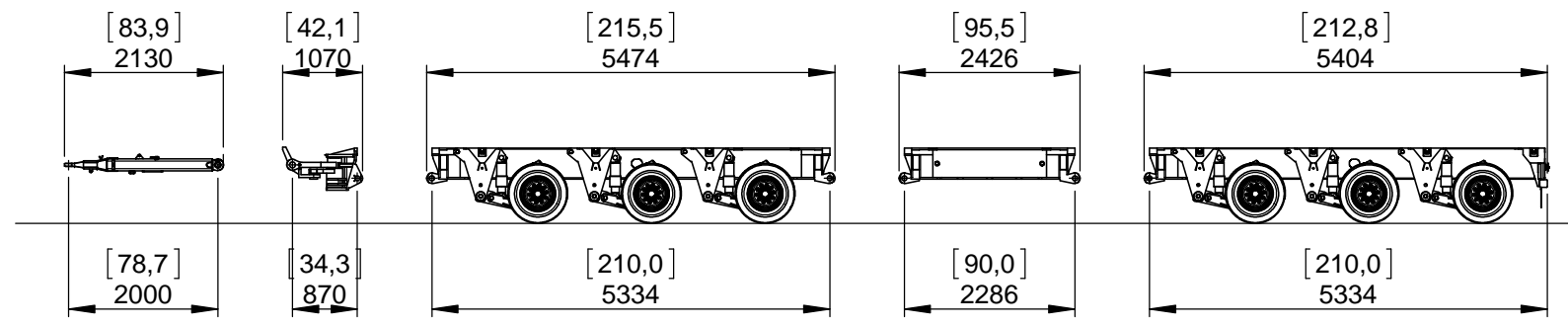
This drawing remains the property of Scheuerle. It is entrusted to the receiver for the specified use only. It may not be reproduced nor made accessible to third persons without written permission.
SCHUEERLE-FAHRZEUGFABRIK GMBH

Copyright: DIN 34 / ISO 16016

scale	1:100	
date	12.01.2016	
name	Gebert	
desig.	12.01.2016	Gebert
inspe.	20.01.2016	Kern
source:		

SCHUEERLE
FAHRZEUGFABRIK GmbH
Postfach 20
D-74627 Pfedelbach

Trailer combination 6 axle
Highway Trailer MES 10.0
64210407-P
version 0
sh. 1 / 2 sh.



Alterations to design and dimensions reserved!
Drawing can include options!

This drawing remains the property of Scheuerle. It is entrusted to the receiver for the specified use only. It may not be reproduced nor made accessible to third persons without written permission.
SCHEUERLE-FAHRZEUGFABRIK GMBH

Copyright: DIN 34 / ISO 16016

scale		1:100		 FAHRZEUGFABRIK GmbH Postfach 20 D-74627 Pfedelbach
desig.	12.01.2016	name	Gebert	
inspe.	20.01.2016		Kern	
source:				

Trailer combination 6 axle Highway Trailer MES 10.0		
64210407-P	version 0	sh. 2 2 sh.